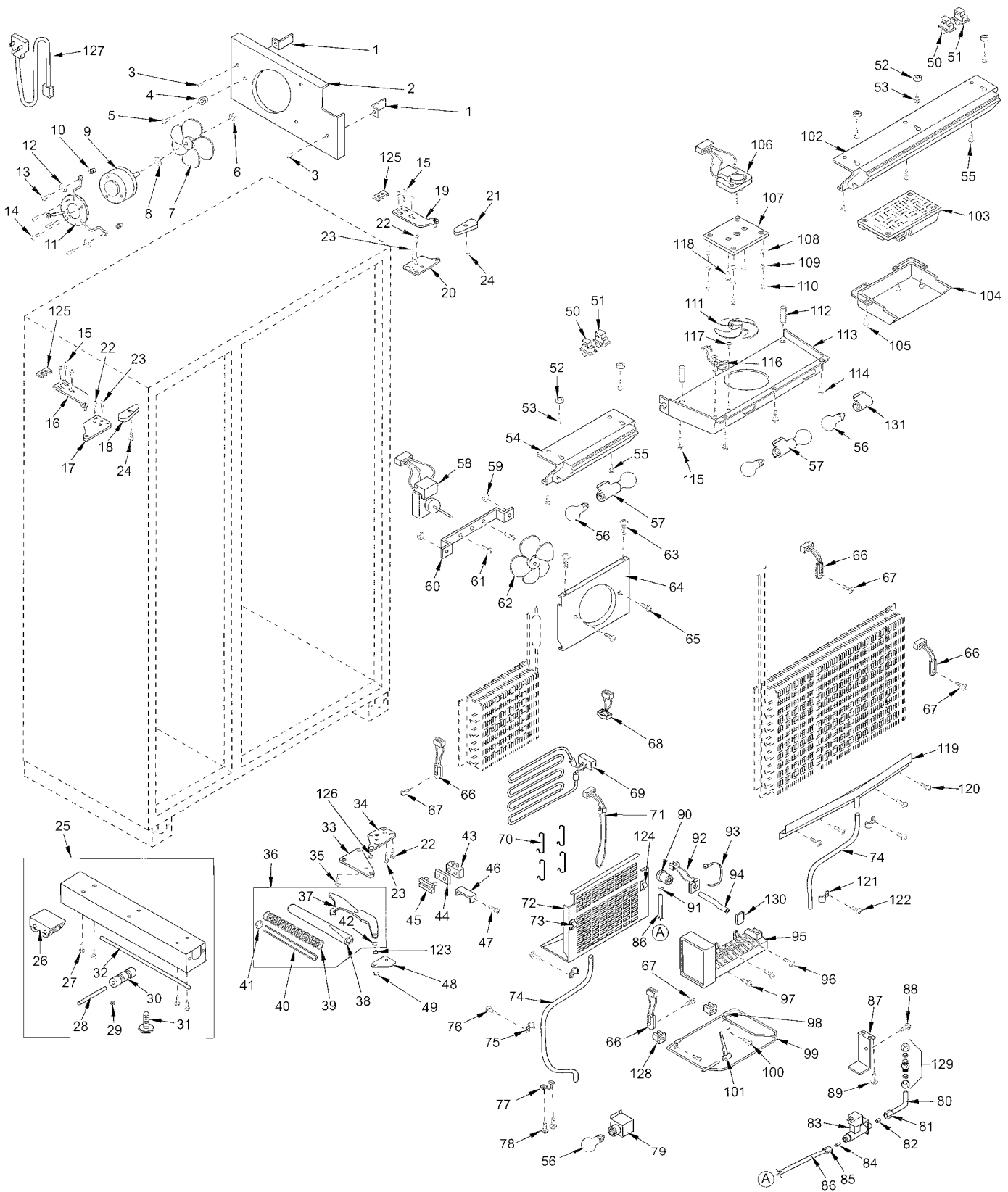


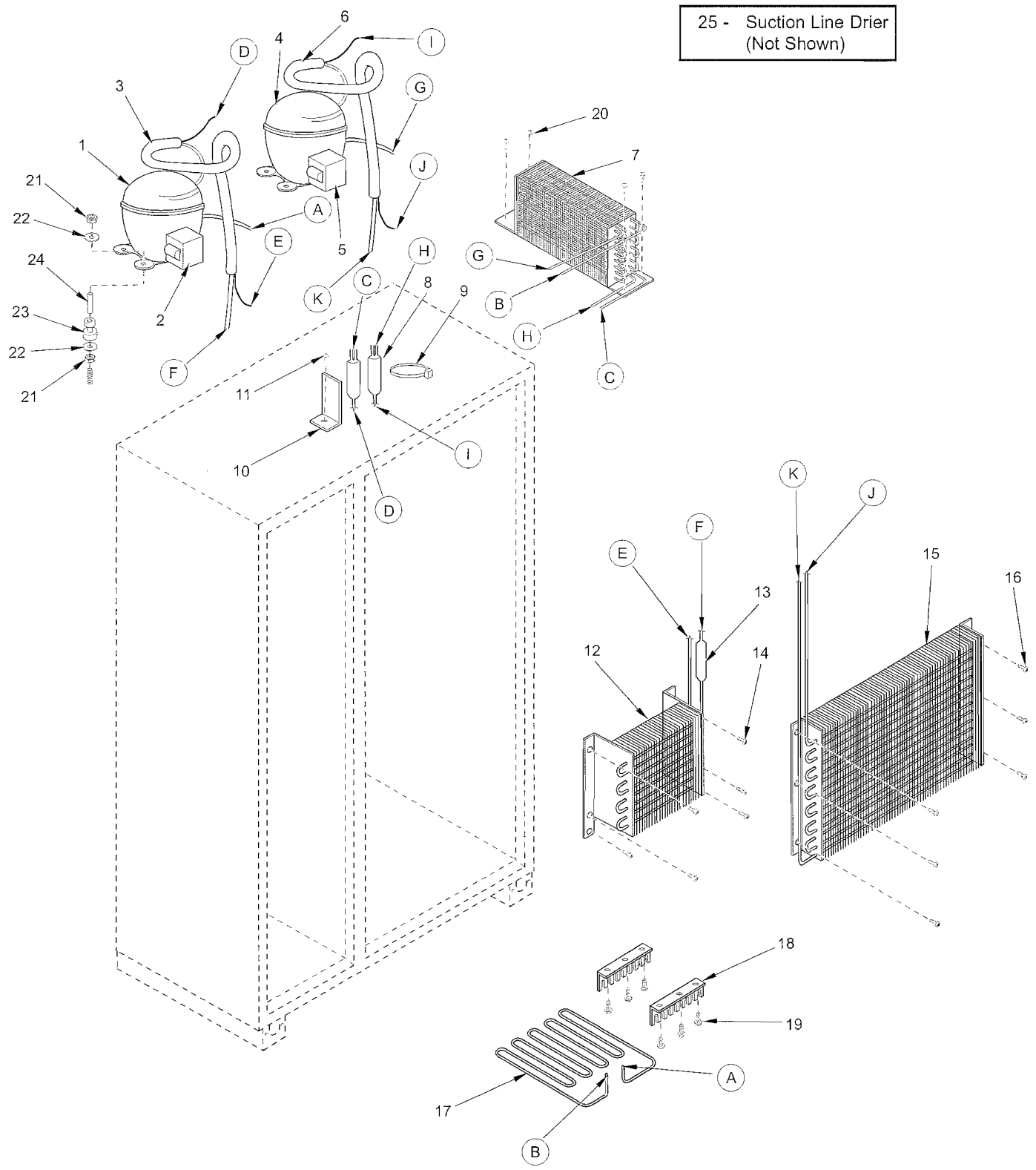
## 642 MECHANICAL VIEW



## 642 COSMETIC PARTS LIST

Ref #	Part #	Description	Ref #	Part #	Description
1	6LG4211	Louvered Grille Assy, 42" x 11"	45	6200340	Screw, #6-20 x 1/2" Pan Head
	6PG4211	Panel Grille Assy, 42" x 11"	46	3410932	Ice Bucket Slide, Left
	6SG4211	SS Grille Assy, 42 x 11 (See SN Breaks)	47	3410931	Ice Bucket Slide, Right
	6SG4211/S	SS Grille, 42X11-CLSC (See SN Breaks)	48	6200450	Screw, #8 x 1" Type AR Flat
2	3580230	Nameplate w/ Pegs	49	6200710	Screw, #8-18 x 3/8" Fillister HD
	3580210	Name Plate, Stick-on	50	4181500	Ice Bucket Assy (See SN Breaks)
3	6150140	Spring Grip Nut, 1/8"		4181960	Ice Bucket Assy (See SN Breaks)
4	3450900	Grille Spring	51	4181640	Freezer Basket Assy (See SN Breaks)
5	4280940	Unit Shroud Assy		4181970	Freezer Basket Assy (See SN Breaks)
6	6201270	Screw, #8-18 x 5/8" PH PN SS-Gnd	52	4180972	Fre Bskt Slide Assy-LH (See SN Breaks)
7	2229703	Main Frame, Top (See SN Breaks)		4181842	Fre Bskt Slide Assy-LH (See SN Breaks)
	2229708	Main Frame, Top (See SN Breaks)	53	4180971	Fre Bskt Slide Assy-RH (See SN Breaks)
8	6200010	Screw, #10-12 x 3/4 Pan HD		4181841	Fre Bskt Slide Assy-RH (See SN Breaks)
9	2210701	Main Frame Angle	54	6200450	Screw, #8 x 1" Type AR Flat
10	6200070	Screw, #4-24 x 3/8 Flat HD	55	4161990	Refrig. Light Diffuser Assembly
11	4120590	Main Frame Assy, Left (See SN Breaks)	56	3602042	Glass Shelf, Spill Proof
	4120830	Main Frame Assy, Left (See SN Breaks)	57	4181650	Refrig. Roll-out Shelf Assy
12	4120580	Main Frame Assy, Right (See SN Breaks)	58	4181530	Refrig. Roll-out Basket Assy
	4120820	Main Frame Assy, Right (See SN Breaks)	59	3411160	Ref Roll-Out Bskt Divider
13	3550190	Bottom Hinge Stud	60	4151760	Crisper Glass Assembly (Incl Seals)
14	3420760	Drain Pan Holder	61	3211780	Crisper Glass Seal, Rear
15	3420670	Screw Spacer	62	3211750	Crisper Glass Seal, Front
16	6201060	Screw, #8 x 1-1/4 Ph Flat Tap	63	4181450	High Humidity Drawer Assembly
17	0164940	Drain Pan	64	N/A	
18	0167900	Kickplate Support (See SN Breaks)	65	3421711	Top Crspr Glass Support, Narrow-RH
	0260700	Kickplate Support (See SN Breaks)	66	3421721	Top Crisper glass Support, Wide-RH
19	6200010	Screw, #10-12 x 3/4 Pan HD	67	6201130	Screw, #8x 1/2" PH FL HD SS
20	0169820	Kickplate, Black-Solid	68	4181421	Top Crisper Slide Assy, Narrow-RH
	0168210	Kickplate, Stainless Steel	69	4181411	Top Crisper Slide Assembly, Wide-RH
21	6200050	Screw, #10-12 x 1/2 Pan HD	70	6201270	Screw, #8-18 x 5/8" PH PN SS-Gnd
	6200720	Screw, #8-18 x 1/2 PH Truss HD	71	3421780	Humidity Drawer Slide-Frame
22	6201310	Screw, #8 x 1-3/4" Flat PH HD	72	3421732	Crisper Filler Strip, Wide
23	3601852	Fre Shelf Ladder, Left (See SN Breaks)	73	3421731	Crisper Filler Strip, Narrow
	3602252	Fre Shelf Ladder, Left (See SN Breaks)	74	6201270	Screw, #8-18 x 5/8" PH PN SS-Gnd
24	3601851	Fre Shelf Ladder, Right (See SN Breaks)	75	4181480	Small Storage Drawer Assembly
	3602251	Fre Shelf Ladder, Right (See SN Breaks)	76	3421691	Bot Crisper Slide Support, Narrow
25	6200710	Screw, #8-18 x 3/8 Fillister HD	77	3421692	Bot Crisper Slide Support, Wide
26	0234080	Freezer Duct/Shelf (See SN Breaks)	78	3413112	Bot Crisper Slide, Cabinet - Left
	0234830	Freezer Duct/Shelf (See SN Breaks)	79	3413111	Bot Crisper Slide, Cabinet - Right
27	3210830	Evaporator Shelf Seal (See SN Breaks)	80	6201230	Screw, #8 x 7/8" w/a #7 PH FT Head
	3212060	Evaporator Shelf Seal (See SN Breaks)	81	N/A	
28	3413200	Evaporator Shelf Front (See SN Breaks)	82	N/A	
	3413930	Evaporator Shelf Front (See SN Breaks)	83	N/A	
29	6201290	Screw, #8-15 PH PN HD SS	84	0168120	Back Duct (See SN Breaks)
30	6220070	Support, .44 x .63 x 1.53"		0169600	Back Duct (See SN Breaks)
31	3601812	Refrig. Shelf Ladder, Left	85	6201060	Screw, #8x1-1/4" Ph Flat Tap
32	3601811	Refrig. Shelf Ladder, Right	86	6200210	Screw, #8-32 x 1/2" Flat Head
33	6200710	Screw, #8-18 x 3/8" Fillister HD	87	6150820	Palnut, .25
34	0200860	Refrig Evap Cover (See SN Breaks)	88	3412280	Egg Tray Cover
	0201270	Refrig Evap Cover (See SN Breaks)	89	3412270	Egg Tray
35	3500600	Fre Lwr Light Diffuser (See SN Breaks)	90	4131810	Egg Tray with Cover
	3500690	Fre Lwr Light Diffuser (See SN Breaks)	91	2811217	Breaker Strip, Ref. Top (See SN Breaks)
36	0234110	Fre Lwr Light Diff Rtnr (See SN Breaks)	92	2811218	Breaker Strip, Ref Bot (See SN Breaks)
	0235130	Fre Lwr Light Diff Rtnr (See SN Breaks)	93	2811219	Breaker Strip, Fre Top (See SN Breaks)
37	6220340	Screw Grommet / Stand-off	94	2811220	Breaker Strip, Fre Bot (See SN Breaks)
38	6201010	Screw, #8-15 x 2" Pan Head		4203920	Patch, Fre Face Frm Sill (See SN Breaks)
39	4161020	Fre Light Diffuser Assy (See SN Breaks)	95	2811205	Brkr Strp, Fre/LS, Ref/RS (See SN Breaks)
	4162050	Fre Light Diffuser Assy (See SN Breaks)	96	1811300	Breaker Strip, Mullion (See SN Breaks)
40	6201330	Screw, #8-18 x 5/8" PH PN SS-Gnd	97	4280950	Compressor Shroud Assembly
41	3520420	Insert / Diffuser Stand-off	98	6150200	Nut, 1/4-20 Hex
42	3601980	Freezer Wire Shelf (See SN Breaks)	99	4202860	Blocking Components; 42"
	3602210	Freezer Wire Shelf (See SN Breaks)	100	3411890	Shim, Fre Basket Slide (See SN Breaks)
43	4181660	Ice Bkt Carriage Assy (See SN Breaks)		2121120	Shim, Fre Basket Slide (See SN Breaks)
	4181980	Ice Bkt Carriage Assy (See SN Breaks)	101	3411970	Shim, Ice Bucket Slide
44	3421090	IM Carriage Guide			

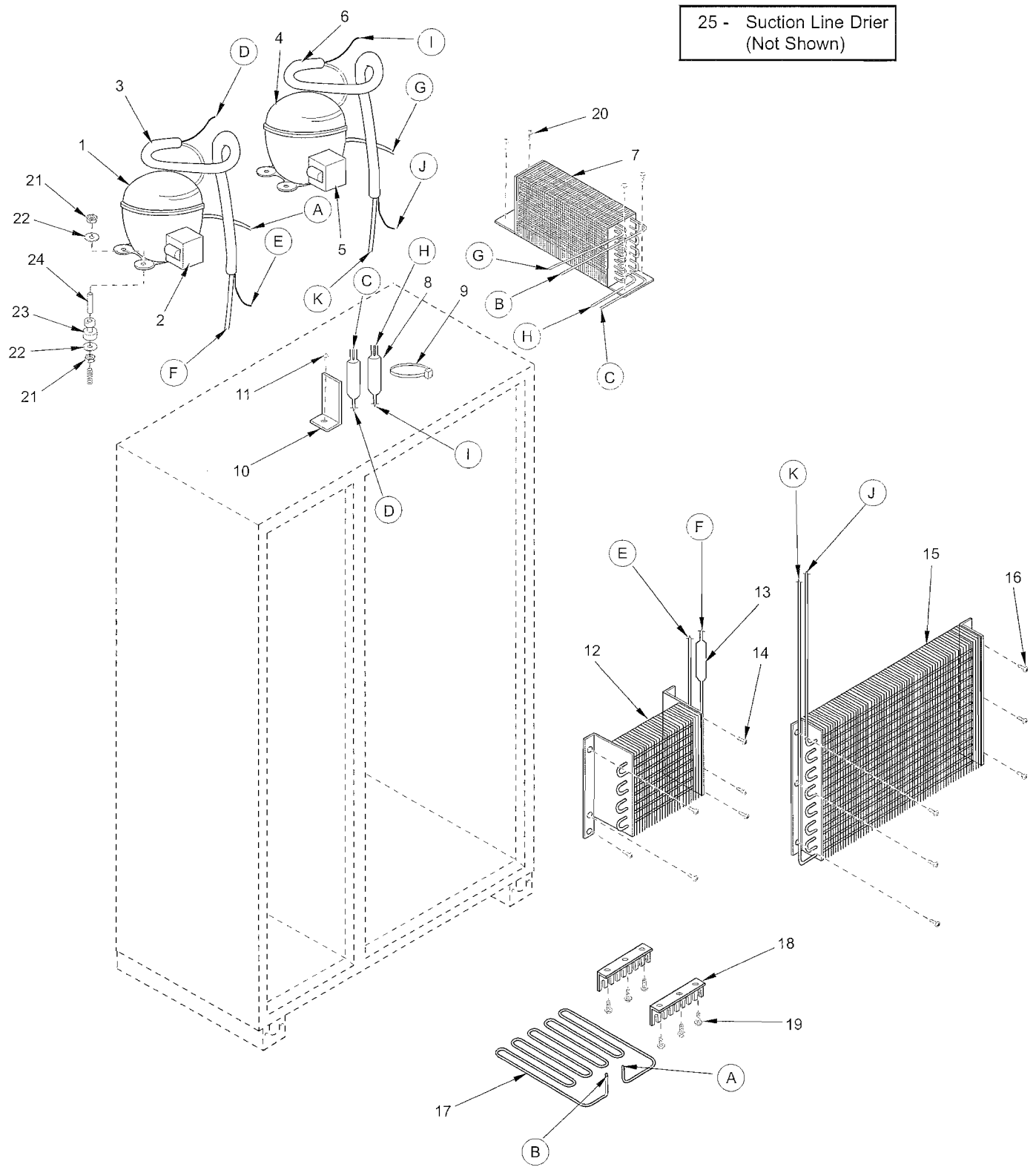
## 642 SEALED SYSTEM VIEW



## 642 MECHANICAL PARTS LIST

Ref #	Part #	Description	Ref #	Part #	Description
1	3450290	Angle Bracket	67	6201270	Screw, #8-18 x 5/8" PH PN SS-Gnd
2	0169510	Condenser Fan Shroud	68	3082060	Defrost Terminator
3	6200010	Screw, #10-12 x 3/4" Pan HD	69	4323820	Defrost Heater Assy (See SN Breaks)
4	3420670	Screw Spacer		4322140	Defrost Heater Assy (See SN Breaks)
5	6200450	Screw, #8 x 1" Type AR Flat	70	1801100	Heater Clip
6	6150410	Nut, 1/4-20	71	3013540	Drain Tube Heater
7	3150320	Fan Blade, Cond, 5 prop, 7"	72	4151740	Fre Evap Cover Assy. (See SN Breaks)
8	3210340	Neoprene Silencer, 7/8"		4152040	Fre Evap Cover Assy. (See SN Breaks)
9	4200740	Motor Pkg, Cond Fan (See SN Breaks)	73	6120160	Cord Clip, Plastic, 5/16 x 1/2"
	4200741	Motor Pkg, Cond Fan (See SN Breaks)	74	1601400	Drain Tube, Wire - 1/2" x 72"
10	6150330	Well Nut, .75D x .804", #10-32	75	6120050	Tube Clamp, Plastic, 5/8"
11	3150650	Condenser Fan Bracket	76	6200010	Screw, #10-12 x 3/4" Pan HD
12	6240350	Fender Washer, .25x1.25x.06	77	6120210	U-Clamp, 5/8"
13	6201280	Machine Screw, #10-32 x 1-1/4"	78	6200010	Screw, #10-12 x 3/4" Pan HD
14	6200490	Screw, #8-32 x 3/8" Slotted Hex T25	79	3050170	Light Socket, Sngl; Strt (See SN Breaks)
15	6110070	Bolt, 1/4-20x3/4 Spinlock Zinc		3050200	Light Socket, Sngl; Strt (See SN Breaks)
16	4151272	Cabinet Hinge Assy, Upper LH		3050260	Socket, Light Med Base (See SN Breaks)
17	4151472	Door Hinge Assy, Top LH		4161600	Light Assy, Lower Freezer
18	3541018	Top Cabinet Hinge Cover, LH	80	2600297	Tube, Copper L-Shaped
19	4151271	Cabinet Hinge Assy, Upper RH	81	3520380	Compression Nut
20	4151471	Door Hinge Assy, Top RH	82	3520370	Compression Sleeve
21	3541017	Top Cabinet Hinge Cover, RH	83	4202790	Water Valve
22	6110540	Bolt, #10-24 x 1/2" Flat Socket HD	84	3520050	Brass Insert, Solenoid
23	6200390	Screw, #6 x 3/8" T25 Flat Head PH	85	3520030	Icemaker Nylon Nut, 1/4"
24	6200140	Screw, #8-15 x 3/8" Truss HD	86	2600617	Plastic Water Line
25	4110353	Base Assy (w/rollers)	87	0168160	Solenoid Water Valve Bracket
26	4110331	Base Rear Roller Assy	88	6200780	Screw, #10-24 x 1/2" PH Hex Washer
27	6200010	Screw, #10-12 x 3/4" Pan HD	89	6201270	Screw, #8-18 x 5/8" PH PN SS-Gnd
28	3550560	Straight Pin, Base Assy, .312" x 2.88"	90	1607700	Water Inlet Tube
29	3450620	Canoe Clip	91	6220470	Fill Tube Clamp
30	3421240	Cabinet Roller (Single)	92	3013820	Fill Tube Heater
31	3570050	Leveling Leg, #18-3/8 x 1"	93	6120450	Locking Cable Tie 9.7" BLK
32	6110580	Adjusting Screw	94	3024110	Fill Tube Extension
33	4151281	Cabinet Hinge Assy, Lower RH	95	4200521	Icemaker Assembly
	4151282	Cabinet Hinge Assy, Lower LH	96	6200120	Screw, #10-12 x 1/2" Truss HD
34	4151241	Door Hinge, Bottom RH	97	6200060	Screw, #8-32 x 1/2" Pan HD
	4151242	Door Hinge, Bottom LH	98	6120280	Tube Clamp, Nylon, 3/16"
35	6110070	Bolt, 1/4-20x3/4 Spinlock Zinc	99	3421630	Icemaker Control Arm
36	4201111	Door Closer Assy, RH	100	6200120	Screw, #10-12 x 1/2" Truss HD
	4201112	Door Closer Assy, LH	101	3421070	Connecting Rod
37	0183111	Door Closer Arm - RH	102	4160902	Control Panel Assy (See SN Breaks)
	0183112	Door Closer Arm - LH		4161932	Control Panel Assy (See SN Breaks)
38	3421300	Door Closer Housing	103	4202800	Control Board Pkg-Dual (See SN Breaks)
39	3450530	Door Closer Spring		4203520	Control Board Package (See SN Breaks)
	3450710	Low Pull Door Closer Spring	104	3412790	Control Board Enclsr (See SN Breaks)
40	3421290	Door Closer Linkage		3413940	Control Board Enclsr (See SN Breaks)
41	0165980	Door Closer Spring Retainer	105	6201270	Screw, #8-18 x 5/8" PH PN SS-Gnd
42	3421260	Door Closer Bearing	106	4200170	Refrig. Fan Mtr Cmpnts (Blade not Incl.)
43	3450570	Door Closer Cushion	107	0211620	Refrigerator Fan Brkt (See SN Breaks)
44	0165970	Door Closer Guide Support		0212520	Refrigerator Fan Brkt (See SN Breaks)
45	3421310	Door Closer Guide	108	3220250	Grommet, 3/16" x 7/16" x 9/32"
46	0166360	Door Stop Cushion Retainer	109	3520410	Brass Insert, Fan
47	6180010	Pop Rivet, 1/8"	110	6110270	Bolt, #10-32 x 1/4" RD HD
48	DS90	Door Stop - 90 Degree	111	3150640	Fan blade, Ref/Fre Evap.
	DS105	Door Stop - 105 Degree	112	6220540	Screw Grommet / Stand-off
49	3450560	E - Ring, 7/16"	113	4161980	Refrig. Fan Shroud Assembly
50	3060140	SPST Light Switch	114	6201270	Screw, #8-18 x 5/8" PH PN SS-Gnd
51	3060130	SPST Fan/Icemaker Switch	115	6201010	Screw, #8-15 x 2" Pan Head
52	6160240	Nylon Spacer	116	3082140	Light Terminator
53	6200720	Screw, #8-18 x 1/2 PH Truss HD	117	6180010	Pop Rivet, 1/8"
54	4160911	Freezer Front Pnl Assy (See SN Breaks)	118	6110270	Bolt, #10-32 x 1/4" RD HD
	4161951	Freezer Front Pnl Assy (See SN Breaks)	119	4190240	Drain Trough Assembly (See SN Breaks)
55	6201270	Screw, #8-18 x 5/8" PH PN SS-Gnd		0212600	Drain Trough Assembly (See SN Breaks)
56	3030030	Light Bulb, 40 Watt	120	6201270	Screw, #8-18 x 5/8" PH PN SS-Gnd
57	3050180	Light Socket, Double (See SN breaks)	121	6120050	Tube Clamp, Plastic, 5/8"
	3050250	Sckt, Light Md Base Dbl (See SN breaks)	122	6200120	Screw, #10-12 x 1/2" Truss HD
	4161610	Light Assy, Upper Freezer (Incl. Socket)	123	3450550	E-Ring / Klipping , 5/16"
58	4200160	Freezer Fan Motor (Blade not Incl.)	124	6120330	Wire Clip
59	6150030	Nut, #10-24 Hex SS	125	0168680	Shim - Hinge
60	0232770	Fan Bracket, Freezer	126	3421270	Hinge Bearing, 3/8" x 5/8"
61	6110270	Bolt, #10-32 x 1/4" RD HD	127	4321820	Power Cord
62	3150060	Fan Blade; Freezer; 5 Prop; 5-1/2"	128	6220220	Screw Grommet, 1/32" X 3/8" SQ.
63	6201270	Screw, #8-18 x 5/8" PH PN SS-Gnd	129	3520250	Water Inlet Fitting Assy
64	0234120	Fre Evap Fan Shroud (See SN Breaks)	130	3140360	Fill Cup Plug
	0234880	Fre Evap Fan Shroud (See SN Breaks)	131	3050190	Light Socket, Single (See SN Breaks)
65	6110020	Bolt, #10-24 x 3/8" Truss HD		3050230	Skt, Light M Base Sngl (See SN Breaks)
66	3014350	Thermistor			

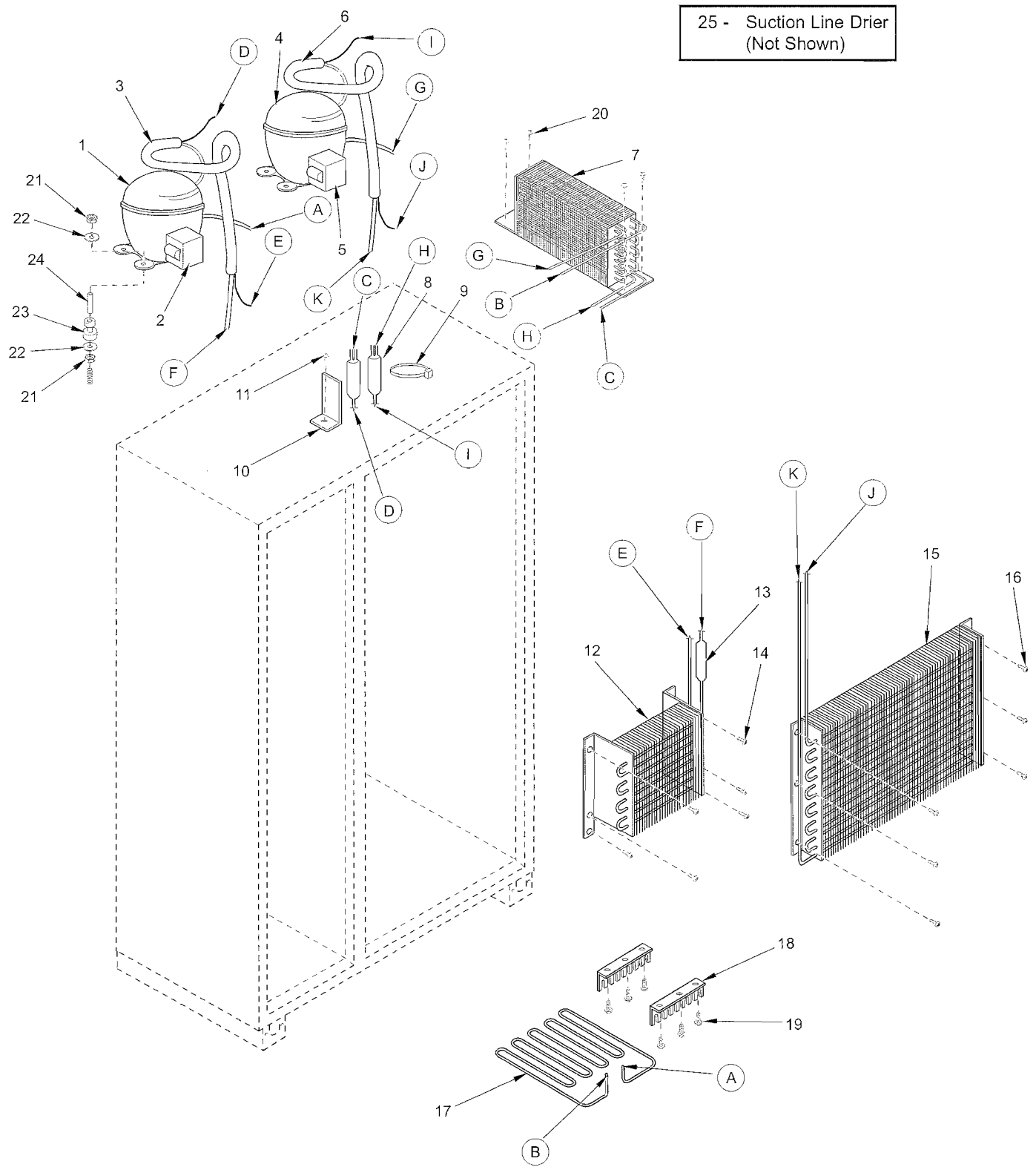
## 642 SEALED SYSTEM VIEW



**642 SEALED SYSTEM PARTS LIST**

<u>Ref #</u>	<u>Part #</u>	<u>Description</u>
1	4202250	Compressor, Freezer (DA73) (See SN Breaks)
	4202280	Compressor, Freezer (EMI60HER) (See SN Breaks)
2	3111041	Relay, (PTH490D-AS100) (Used with DA73 Compressor)
	3111460	Relay, (1351408) (Used with EMI60HER Compressor)
	3111430	Overload, (4TM419MFB) (Used with DA73 Compressor)
	3111470	Overload, (4TM757NFB) (Used with EMI60HER Compressor)
	3111070	Running Capacitor, (12Mf) (Used with DA73 Compressor)
3	4251400	Heat Exchanger, Freezer
4	4201880	Compressor, Refrig. (EMI30HER)
5	3111370	Relay, (1351400 - For EMI30HER Comp)
	3111410	Overload, (4TM734LFB - For EMI30HER Comp)
6	4251240	Heat Exchanger, Refrigerator
7	3120330	Condenser, Dual
8	3014230	Filter-Drier, High Side
9	6120170	Locking Cable Tie, Red, 11-1/2"
10	0168040	Drier Bracket
11	6201270	Screw, #8-18 x 5/8" PH PN SS-Gnd
12	3130430	Evaporator Coil, Fre (See SN Breaks)
	3130590	Evaporator Coil, Fre (See SN Breaks)
13	3011130	Freezer Accumulator
14	6201270	Screw, #8-18 x 5/8" PH PN SS-Gnd
15	3130420	Evaporator, Refrig.
16	6201270	Screw, #8-18 x 5/8" PH PN SS-Gnd
17	2600138	Drain Pan Heater Loop
18	3421410	Drain Pan Heater Loop Support
19	6200010	Screw, #10-12 x 3/4" Pan HD
20	6200010	Screw, #10-12 x 3/4" Pan HD
21	6150220	Nut, 5/16-18 Hex Zinc
22	6240050	Flat Washer, 5/16"
23	3150010	Rubber Grommet, Small, 5/8"
	3150170	Rubber Grommet, Large, 15/16"
24	6160030	Spacer, 5/16 x 7/16 x 5/8"
	6160070	Sleeve, 5/16 x 7/16 x 7/8"
25	3014100	Suction Line Drier (Service Only)

## 642 SEALED SYSTEM VIEW



## 650 DOOR PARTS LIST

<u>Ref #</u>	<u>Part #</u>	<u>Description</u>	<u>Ref #</u>	<u>Part #</u>	<u>Description</u>
1	4132823	Refrig. Door Assy, Frame/Overlay - RH	25	4330530	Gallon Door Shelf Assy (Sales Acc.)
	4132824	Refrig. Door Assy Frame/Overlay - LH	26	3212130	Door Gasket, Refrigerator
	4133213	Refrig. Door Assy, SS - RH	27	4132015	Freezer Drawer Assy, Frame/Overlay (See SN Breaks)
	4133214	Refrig. Door Assy, SS - LH		4132795	Freezer Drawer Assy, Frame/Overlay (See SN Breaks)
2	6200720	Screw, #8-18 x 1/2 Ph Truss Hd		4132165	Fre Drawr Assy (SS) (See SN Breaks)
3	2230606	Refrig. Door Trim, Top - RH		4133215	Fre Drawr Assy (SS) (See SN Breaks)
	2230608	Refrig. Door Trim, Top - LH	28	4131880	Handle/Trim Molding Assy, Freezer
4	6200720	Screw, #8-18 x 1/2 Ph Truss Hd	29	3451000	Magnet, Trim Strip
5	4200940	Switch Depressor (Includes Screw)	30	6201300	Tapping Screw, #8 x 1/2
6	3511140	Door Trim, Hinge Side - (SS Model)	31	4132250	Drawer Handle Assy, Freezer (Framed)
	3511141	Door Trim, Hinge Side - Mitered Corner		4132350	Handle-Side Door Trim, Freezer (Overlay)
7	2230607	Refrig. Door Trim, Bottom - RH	32	6180160	Rivet, Open End Blind, 1/8 x 3/16
	2230609	Refrig. Door Trim, Bottom - LH	33	3413340	Handle/Trim End Cap
8	3420240	Gasket Retainer, Side Ref, 47.438	34	2230701	Fre Drawer Trim, Rt Side
9	6200410	Screw, #8 x 1/2 Slot Head Hex	35	6180040	Pop Rivet, 3/16 x 1/8 Grip
10	3420220	Gasket Retainer, 33.312"	36	3450460	Door Trim Clip
11	4132240	Door Handle Assy, Refrig. (Framed)	37	2230605	Freezer Drawer Trim, Bottom
	4132340	Handle-Side Door Trim, Ref. (Overlay)	38	6200720	Screw, #8-18 x 1/2 Ph Truss Hd
12	3413340	Handle/Trim End Cap	39	3420150	Gasket Retainer, 17.312
13	6180160	Rivet, Open End Blind, 1/8 x 3/16	40	6200410	Screw, #8 x 1/2 Slot Head Hex
14	6201300	Tapping Screw, #8 x 1/2	41	3420220	Gasket Retainer, 33.312"
15	4131870	Handle/Trim Molding Assy, Refrig.	42	2230702	Fre Drawer Trim, Lt Side
16	3451000	Magnet, Trim Strip - 3"	43	4132210	Handle Assy, Fre Drwr Rnd (Incl. Stand-offs) (See SN Breaks)
17	4132200	Handle Assy,Ref 44.125 Rnd (Incl. Stand-offs) (See SN Breaks)		4133470	Hdl Assy, Fre Drwr Blunt (Incl Stndoffs) (See SN Breaks)
	4133500	Hndl Assy,Ref 44.25 Blnt (Incl stndoffs) (See SN Breaks)		4133720	Handle Assy, Obr Standoff-Fre (See SN Breaks)
	4133700	Handle Assy, SS Obr Standoff (See SN Breaks)	44	3511320	Hndle Stand-Off 1" D (See SN Breaks)
18	3511320	Handle Stand-Off 1"D (See SN Breaks)		3512160	Stndoff,SS Oval, Drwr(See SN Breaks)
	3152150	Standoff, SS Oval (See SN Breaks)	45	6110540	Bolt, #10-24 x 1/2 Flat Socket HD
19	6110540	Bolt, #10-24 x 1/2 Flat Socket HD	46	3511520	Handle Mounting Stud
20	3511520	Handle Mounting Stud	47	6110730	Set Screw #10-32 x 1/4 SS Cone
21	6110730	Set Screw #10-32 x 1/4 SS Cone	48	3550230	White Plastic Plug, 3/4
22	4330490	Dairy Compartment Assy	49	3211110	Door Gasket, Fre. (See SN Breaks)
23	3211820	Dairy Compartment Gasket		3212120	Door Gasket, Fre. (See SN Breaks)
24	4330480	Refrig. Door Shelf Assy			