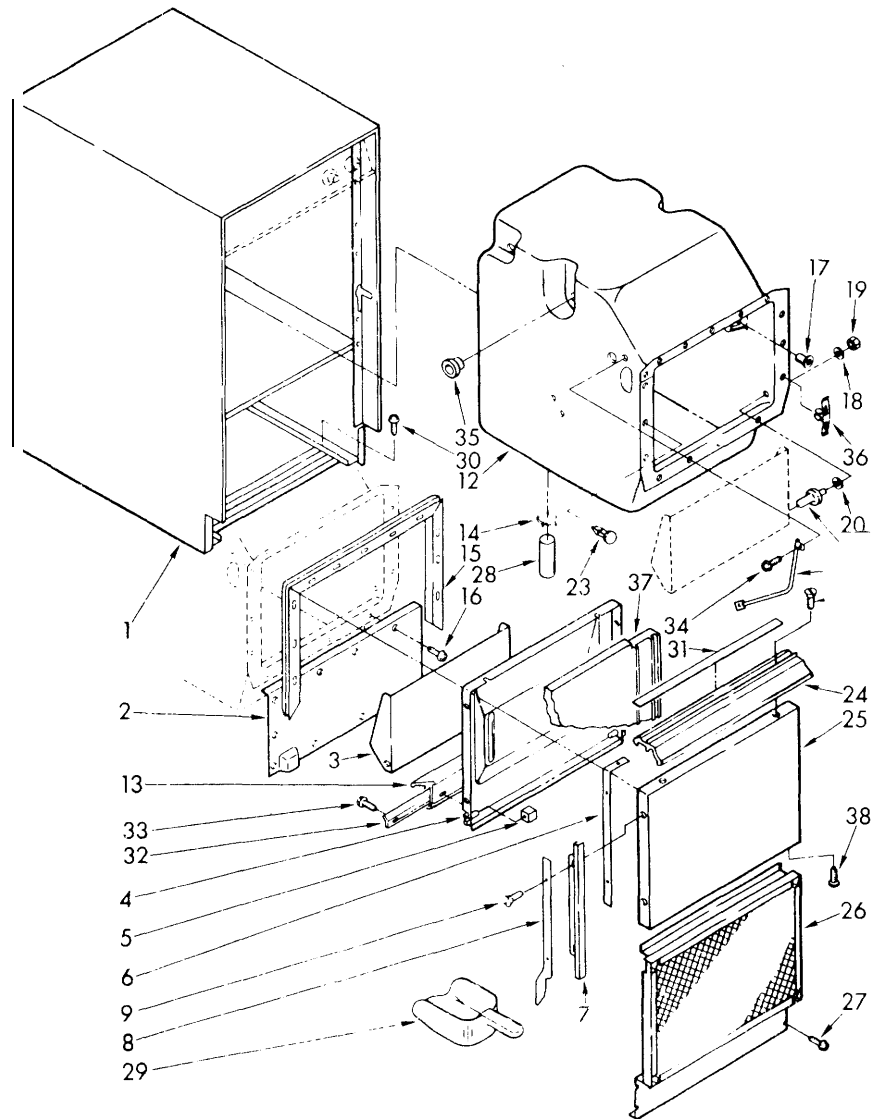


505IS and 505ISC CABINET, LINER and DOOR COMPONENTS

Illus. No.	Part No.	Description
1	757942	Shell
2	756563	Front, Shell
3	756330	Door, Inner Bin
4	978630	Liner, Door
5	593192	Plug, Hinge
6	593104	Strip, Tapping (2)
7		TrimDoor:
	758748	Right Side
	755676	Left Side
	755677	Lower
8	593184	Rail, R. S.
	593185	Rail, L. S.
9	681459	Screw, 8-32 x 5/8 (6)
12	756350	Liner (Includes Illus. 17, 18, 19, 20 & 21)
13	756347	Gasket, Bottom
14	596023	Clamp (2)
15	756663	Gasket
16	488113	Screw, 8-32 x 3/8
17	680982	Nut, Molly
18	680902	Washer
19	487541	Nut, 1/4 Hex
20	596005	Washer (2)
21	876827	Stud (2)
22	561814	Well, Bin Thermostat
23	596788	Clip, Panel (2)
24	756662	Pull, Door
25		Panel, Exterior:
	755340	Brushed Chrome
	755364	White & Black
	755371	Almond & Harvest Gold
26	876926	Grille
27	681308	Screw, 8-32 x 1/2
28	598894	Connector, Hose
29	585158	scoop
30	680811	Screw, 10-32 x 3/8
31	813528	Insert, Handle
32	587960	Strip, Gasket
33	681149	Screw, 8-15 x 1/2
34	681534	Thumbscrew, 10-1/2
35	596715	Well Nut
36	596671	Clip, Panel (14)
37	758754	Insulation, Door
38	681196	Screw

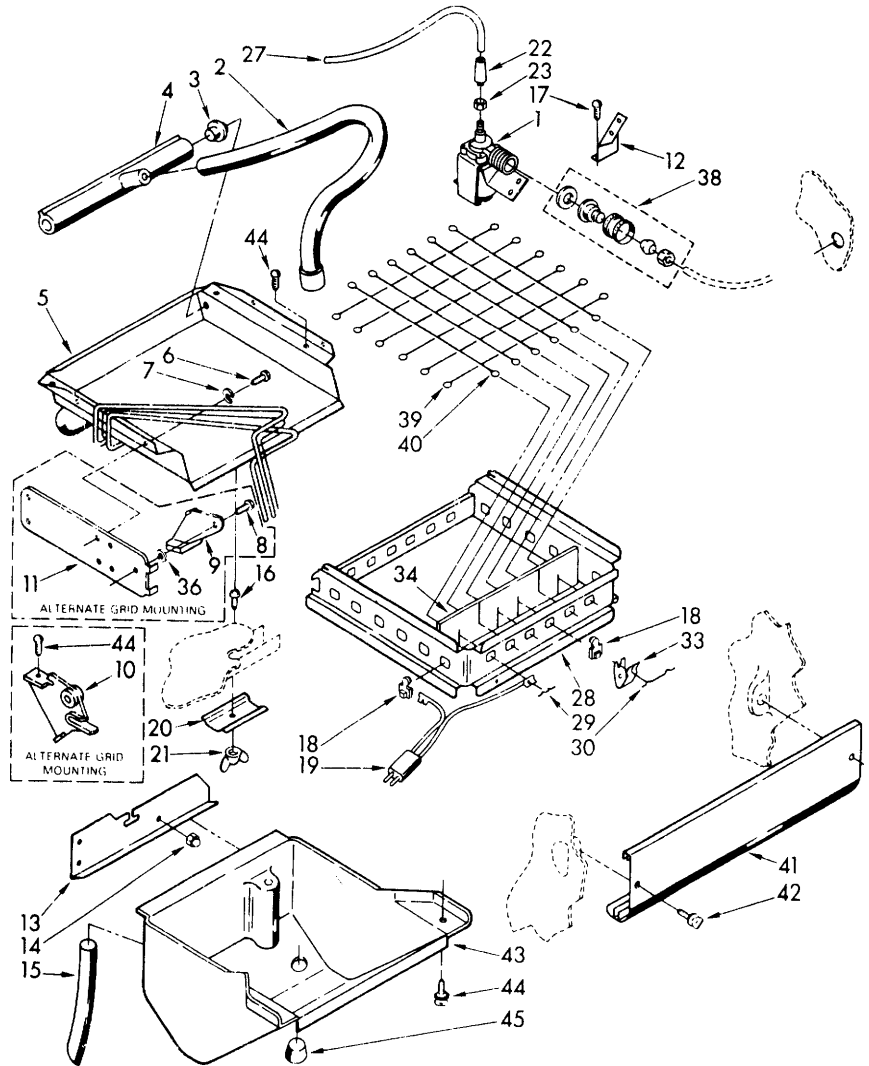


Following Parts Not Illustrated:

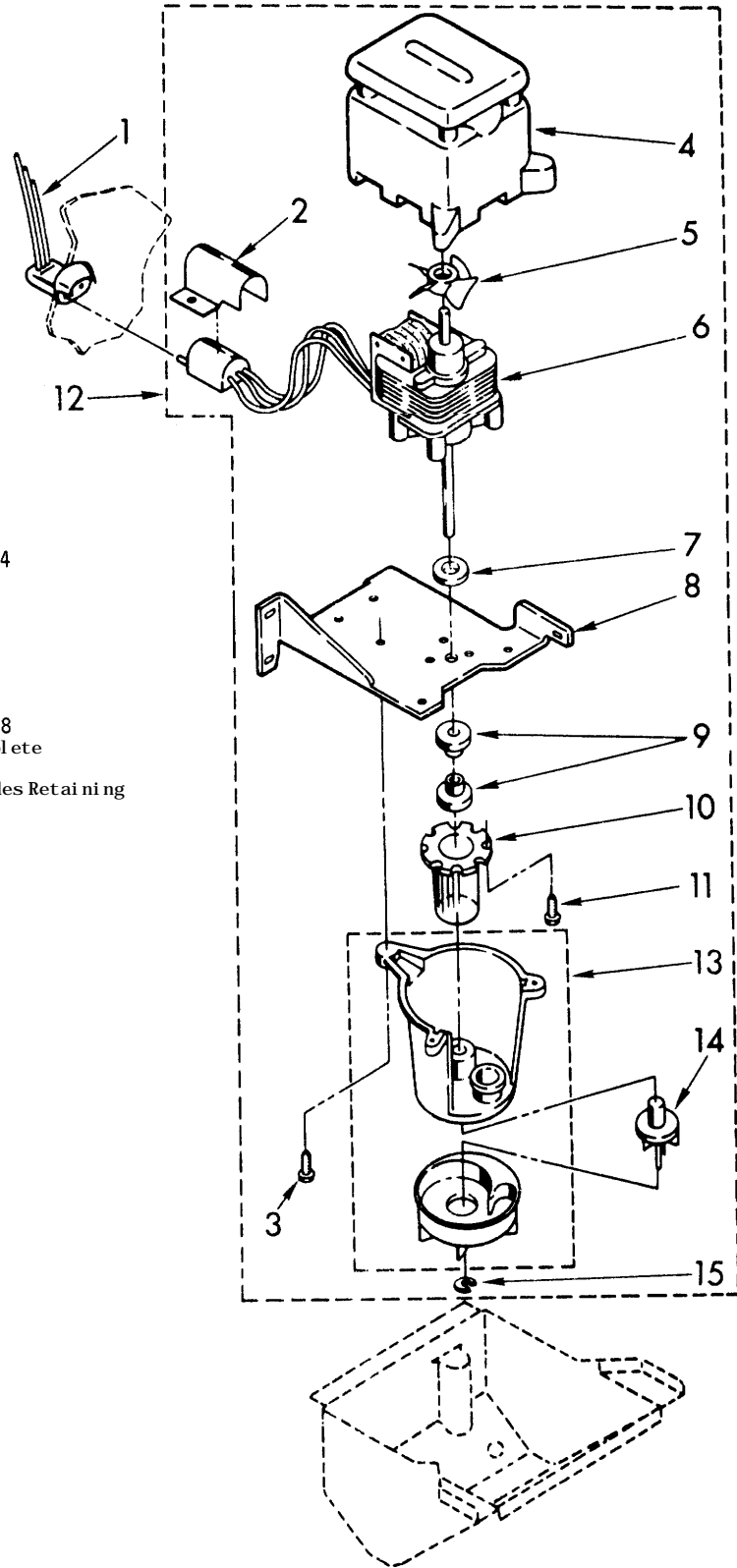
Part No.	Description
799351	Blend, Thinner (1 gal)
279368	Cement, Insulation (1 oz)
505587	Sealer, Mastic (1 qt)
799833	Kit, Evaporator Repair (Aluminum Epoxy)
350942	Primer, White (12 oz Spray Can)
350941	Leveler, Enamel (12 oz Spray Can)
598894	Sealer, Gum (22 pcs, 3/16" x 7")
876305	Kit, Insulation (5 pcs, 3" x 24" x 48")
978025	Valve, Access (1/4")
978026	Valve, Access (5/16")
978027	Valve, Access (3/8")
978028	Valve, Access (1/2")
978029	Valve, Access (5/8")
978030	Valve, Access (3/4")
756638	Instructions, Installation
756637	Instructions, Owner's
877260	List, Parts

505IS 505ISC EVAPORATOR, ICE CUTTER GRID

Illus. No.	Part No.	Description
1	627558	Valve, Complete Water
2	585856	Tube, Plastic
3	564061	Plug (2)
4	585813	Dispenser, Water
5	758028	Evaporator
6	595095	Screw, 10-32 x 3/8
7	595261	Lockwasher
8	595098	Screw, 10-32 x 1/2
9	819051	Bracket, Grid Pan(2)
10	756564	Bracket, Grid Mounting (2)
11	593114	Rail, Evaporator (2)
12	756343	Bracket, Water Valve
13	585853	Shelf, Water Pan
14	681365	Nut, Acorn (3)
15	593369	Hose, Overflow
16	596037	Screw, 10-32 x 1/2
17	680198	Screw, 1/4 x 20 x 1/2
18	598277	Insulator (38)
19	587639	Cord, Grid
20	564064	Clamp
21	487836	Nut, Wing
22	a41707	Insert
23	978047	Nut & Sleeve Assembly
27	867200	Tube, Plastic
28	563887	Frame, Grid
29	278744	Pin (17)
30	278745	Pin (4)
33	564072	Clip (19)
34	563890	Shield
36	486260	Washer (2)
38	53323a	Adapter
39	588048	Kit (Incl. 9 Grid Cutter Wires)
40	588109	Kit (Incl. 10 Grid Cutter Wires)
41	593171	Panel, Grid
42	680930	Thumbscrew, 10-32 x 5/8
43	756659	Pan
44	681534	Thumbscrew, 10 x 1/2
45	593572	Stopper, Water Pan

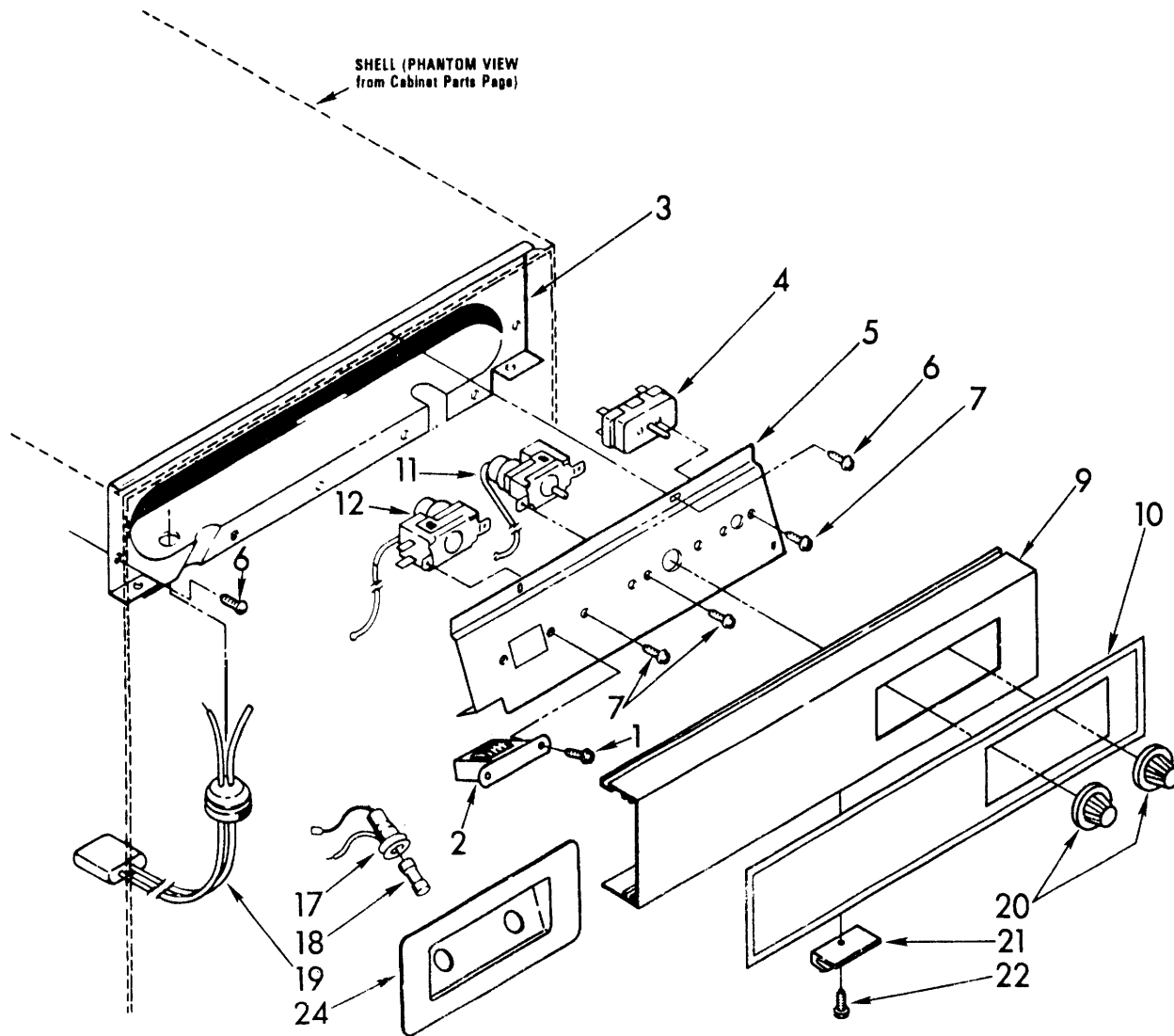


505IS and 505ISC PUMP COMPONENTS



Item #	Part #	Description
1	569434	Plug, Pump
2	756124	Cover, Plug
3	681391	Screw, 8-18 x 3/4
4	593702	Housing, Motor
5	587096	Blade, Fan
6	588572	Motor, Pump
7	593060	Washer
8	756122	Bracket, Pump
9	596016	Grommet (2)
10	593229	Sleeve
11	681390	Screw, 8-32 x 3/8
12	756782	Water Pump, Complete
13	569607	Pump, Housing
14	569513	Impeller (Includes Retaining Ring, 15)
15	681301	Ring, Retainer

505IS and 505ISC ESCUTCHEON AND CONTROL COMPONENTS



Illus No.	Part No.	Description
1	681308	Screw, 8-32 x 1/2
2	702386	Transformer
3	756664	Escutcheon, panel
4	593139	Switch, service
5	756341	Bracket, control
6	488113	Screw, 8-15 x 3/8
7	486579	Screw, 8-32 x 1/4
9	756666	Escutcheon (includes 10, 21, 22 & 24)
10	755360	Decal, escutcheon

Illus No.	Part No.	Description
11	598235	Thermostat, evaporator
12	978746	Thermostat, bin control
17	596008	Fuse holder
18	596009	Fuse
19	587578	Harness, grid
20	756881	Knob
21	756660	Latch
22	487246	Screw, 8-32 x 1/2
24	755361	Cup, escutcheon

505IS and 505ISC UNIT COMPONENTS

Illus No.	Part No.	Description
3	756878	Shroud
4	978655 978483	Motor, Blade, Fan Fan
5		
6	680198 755339	Bracket Screw, 1/4-20 x 1/2 (6)
7	3-11-009-0	Compressor
8	680233	Screw (4)
9	595230	Washer (4)
10	482739	Sleeve (4)
11	553583	Grommet (4)
12	647887	Cord, Power
14	40512	Clamp, Coil Retainer
15	588205	Coil, Solenoid
16	598086	Valve, Body
18	813502	Overload
19	549086	Spring
20	989646	Relay
21	549505	Case, Relay
22	549342	Cover Strap
23	978246	Drier
24	756299	Condenser
26	587971	Harness, Coil
27	593519	Deflector, Front
28	487343	Washer
29	488661	Screw, 8 x 3/8
30	756345	Base, Unit
31	583663	Plug, Fan Motor
32	595380	Nut, Speed (Incl. w/Fan Motor)
33	488868	Screw, 8-36 x 1/2 (Incl. w/Fan Motor)

